

Maximum precision and outstanding path accuracy

M-800iA/60



HIGH ACCURACY
ideally suited for high accuracy path applications like 3-D Laser Cutting



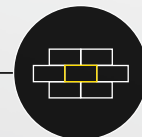
HIGH PERFORMANCE
fast and accurate motion in narrow corners



60 KG PAYLOAD
perfect for additional toolings



iR CALIBRATION SIGNATURE
for absolute accuracy included as standard



HIGH RIGIDITY
robust construction to increase precision



Next level accuracy

- High performance at high speed motion in narrow corners
- Excellent results in linear and circular path accuracy
- Ideal solution for laser processing with a high demand on accuracy
- iR Calibration Signature as standard feature
- Rigid design for better resistance against deflection

M-800iA/60



Max. load capacity
at wrist: **60 kg**



Max. reach:
2040 mm

Controlled axes	Repeatability (mm)	Mechanical weight (kg)	Motion range [°]						Maximum speed [°/s]						J6 Moment/Inertia (Nm/kgm ²)		
			J1	J2	J3	J4	J5	J6	J1	J2	J3	J4	J5	J6		J4 Moment/Inertia (Nm/kgm ²)	J5 Moment/Inertia (Nm/kgm ²)
6	± 0.015*	820	370	225	340	720	250	720	150	150	150	260	260	400	210/30	210/30	130/20

Robot

- Robot footprint [mm] 515 x 505
- Mounting position Floor ●
- Mounting position Upside down -
- Mounting position Angle -

Controller

- Open air cabinet -
- Mate cabinet -
- A-cabinet ●
- B-cabinet ○
- iPendant Touch ●

Electrical connections

- Voltage 50/60Hz 3phase [V] 380-575
- Voltage 50/60Hz 1phase [V] -
- Average power consumption [kW] -

Integrated services

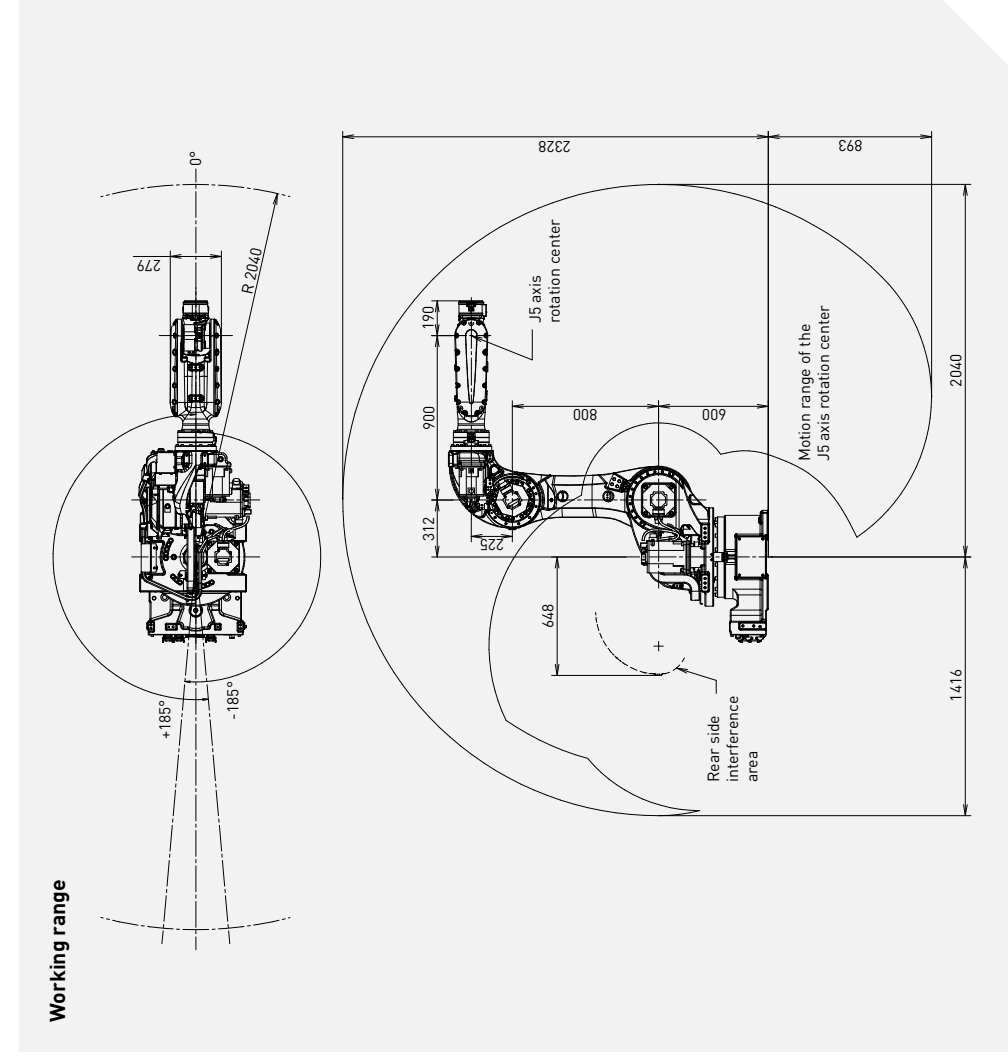
- Integrated signals on upper arm In/Out 8/8
- Integrated air supply 1

Environment

- Acoustic noise level [dB] 70
- Ambient temperature [° C] 0-45

Protection

- Body standard/optional IP54
- Wrist & J3 arm standard/optional IP54



Working range